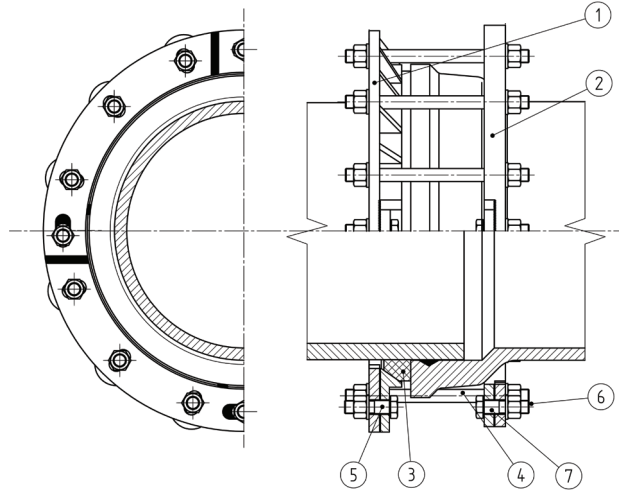
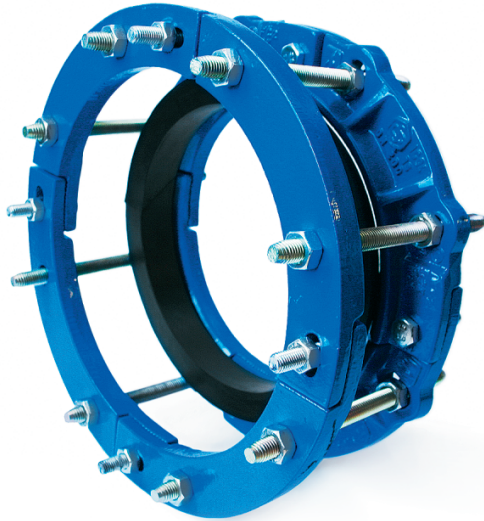




Adjustable repair clamp "STOP"



■ USE:

- For the repairing of socket connections on ductile cast iron pipes
- Other dimensions on request

■ MATERIALS:

- 1,2 - body - ductile cast iron protected with epoxy powder coating
- 3 - gasket - EPDM rubber
- 4-7 - nuts, bolts, washers: galvanized steel
- optional: stainless steel

The product has been certified as suitable for contact with potable water.
Technical data sheet indicative and not binding, Idro Gas can change the informations contained in any moment without notice.

DN	Range [mm] D _{min} - D _{max}	Bolts		Number of tie rods	Number of sectors (x2)	Notes
		N°	Diam.			
50	63 - 70	4	M12	4	2	
60	72 - 80	6	M12	6	3	
80	98 - 104	6	M12	6	3	
100	118 - 124	6	M12	6	3	
125	144 - 154	6	M12	6	3	
150	170 - 180	6	M12	6	3	
175	196 - 212	8	M12	8	4	
200	222 - 238	8	M12	8	4	
225	248 - 264	8	M12	12	4	
250	274 - 292	8	M14	12	4	
275	304 - 322	8	M14	12	4	
300	326 - 344	8	M16	12	4	
350	378 - 396	8	M16	16	4	
400	429 - 455	10	M16	15	5	
450	480 - 510	10	M16	15	5	
500	532 - 560	10	M16	20	5	
600	634 - 662	15	M16	25	5	
700	738 - 768	18	M16	24	6	
800	842 - 882	24	M16	32	8	
1000	1048 - 1090	27	M16	36	9	
1200	1256 - 1298	30	M16	40	10	